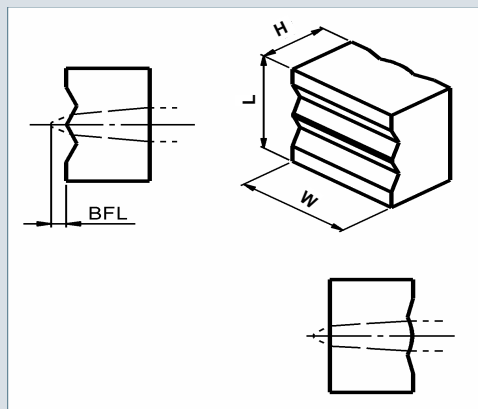
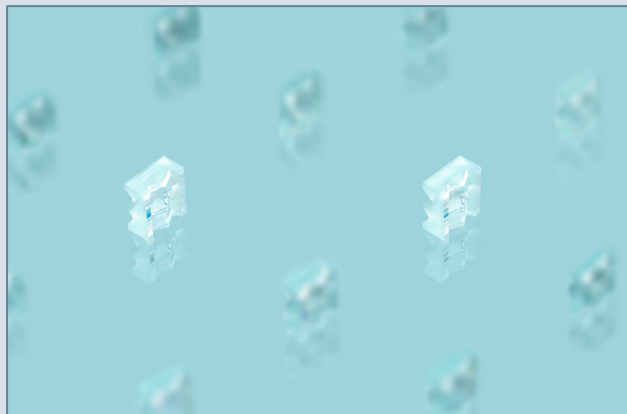


# Single-mode Collimator (O/D) (9003.505) / (9003.506)



**General Description:** Collimator for single-mode single emitters.

## Specification Data

Material	S-TIH53 (Ohara)
Length (L)	1.50 +/- 0.05 mm
Width (W)	1.50 +/- 0.05 mm
Height (H)	0.895 +/- 0.01 mm
Clear aperture	0.45 x 0.45 mm <sup>2</sup>
Surface quality	$\lambda/4$ @ 633 nm (typically)
Refractive index n @ 808 nm	1.823
Effective focal length EFL for slow axis @ 808 nm	0.65 mm
Back focal length BFL @ 808 nm	0.17 mm
Numerical aperture	FA: 0.6 SA: 0.3 (for emitter size of 4 $\mu$ m)
Standard coating	AR790-990 nm
Transmission	> 99%
Fast Axis power within an angle of +/- 5.5 mrad (O)	> 70 %
Slow Axis power within an angle of +/- 5.5 mrad (O)	> 70 %
Fast Axis power within an angle of +/- 5.5 mrad (D)	> 85 %
Slow Axis power within an angle of +/- 5.5 mrad (D)	> 85 %
Options	Customized coating

Copyright © 2005 LIMO GmbH. All rights reserved. All LIMO products are patent pending. Subject to change without notice. 2007-09-24 Vs. 2.0