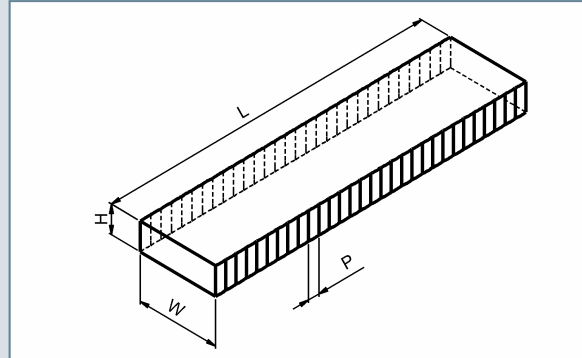
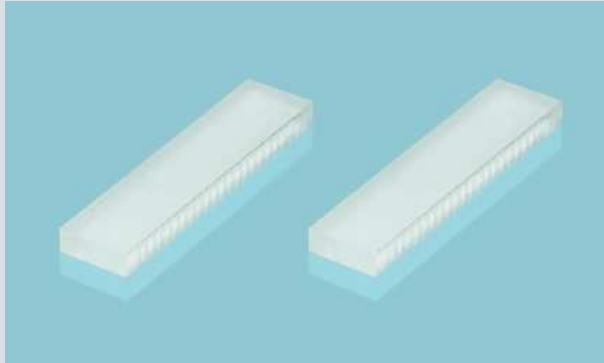


TEL-200/400
(3000.400)

LIMO
Lissotschenko Mikrooptik



General Description: Telescope-Array for the collimation of the slow axis of diode laser bars with emitter size of up to 200 μm and pitch 400 μm .

Specification Data

Material	S-TIH53 (Ohara)
Length (L)	12.00 +/- 0.05 mm
Height (H)	1.00 +/- 0.05 mm
Width (W)	2.93 +/- 0.01 mm
Clear aperture	11x0.9 mm ²
Surface quality	$\lambda/4$ @ 633 nm (typically)
Refractive index n @ 808 nm	1.823
Effective focal length EFL @ 808 nm	1.62 mm
Pitch (P)	0.4 mm
Average radius	Side A: 1.35 +/- 0.03 mm Side B: 2.56 +/- 0.05 mm
Numerical aperture (NA)	0.08
Standard coating	AR790-990 nm
Transmission	> 99%
Remaining divergence (Full width @ $1/e^2$)	100 mrad (typically)
Options	Customized coating
	Other dimensions
	Bottom tab for mounting

Copyright © 2005 LIMO GmbH. All rights reserved. All LIMO products are patent pending. Subject to change without notice. 2007-08-06 Vs. 2.0

LIMO Lissotschenko Mikrooptik GmbH
Bookenburgweg 4-8 • 44319 Dortmund • Germany
Phone +49-231-22241- 0 • Fax +49-231-22241- 301 •
www.limo.de • kontakt@limo.de

LIMO Lissotschenko Microoptic, Inc.
1170 Howell Mill Rd. NW • Suite 300 • Atlanta, GA 30318 • U.S.
Phone: +1-404-586-6860 • Fax: +1-404-586-6820 •
www.limo-microoptics.com • contact@limo-microoptics.com