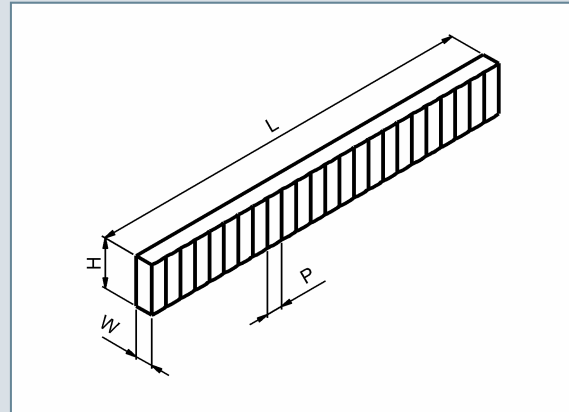
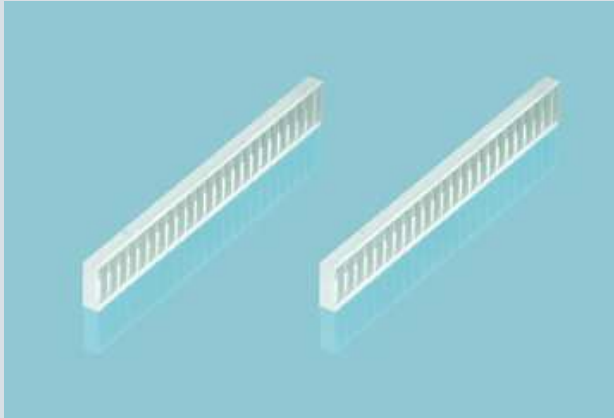


SAC-Arrays with pitch 500 μm



General Description: SAC-Arrays for the collimation of the slow axis of diode laser bars with a pitch of 500 μm .

Specification Data

Material	S-TIH53 (Ohara)
Length (L)	12.00 +/- 0.05 mm
Height (H)	1.50 +/- 0.05 mm
Pitch (P)	0.5 mm
Clear aperture	11x1.4 mm ²
Refractive index n @ 808 nm	1.823
Surface quality	$\lambda/4$ @ 633 nm (typically)
Standard coating	AR790-990 nm, R<0.5%
Transmission	> 99%
Options	Customized coating
	Other dimensions
	Bottom tab for mounting

Specification Data	9007.400	9007.401	9007.403
Diode structure	150 / 500	100 / 500	50 / 500
Radius (mm)	1.49 \pm 0.03	2.37 \pm 0.05	3.50 \pm 0.07
Width (mm)	0.55 \pm 0.01	0.55 \pm 0.01	1.0 \pm 0.05
Focal length @ 808 nm (mm)	1.81	2.88	4.25
Back focal length @ 808 nm (mm)	1.50	2.58	3.70
Numerical aperture NA ¹	0.09	0.065	0.05
Typical remaining divergence FW1/e ² (mrad)	90	40	15

¹The NA depends on the emitter size (50, 100 or 150 μm)

Copyright © 2005 LIMO GmbH. All rights reserved. All LIMO products are patent pending. Subject to change without notice. 2009-09-15 Vs. 1.0.