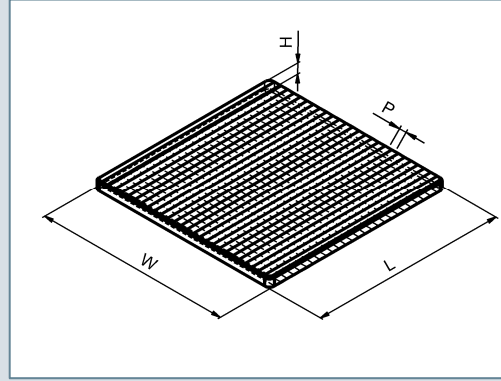
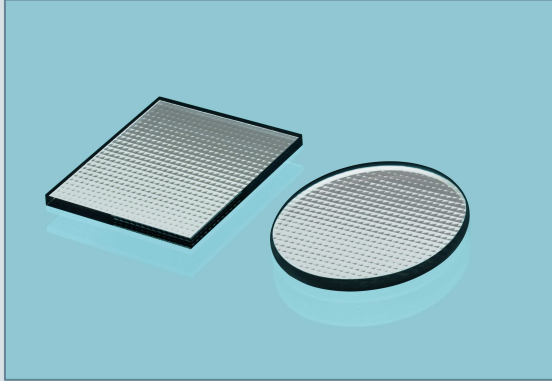


Homogenizer Pitch 0.8



General Description: Lens array with cross-oriented cylindrical lenses on both sides for the generation of top hat profiles with high homogeneity.

Specification Data

| | |
|-------------------------------------|--|
| Material | Fused Silica |
| Length (L) | 20.0 +/- 0.1 mm |
| Width (W) | 20.0 +/- 0.1 mm |
| Height (H) | 2.0 +/- 0.1 mm |
| Clear aperture | 18.0 x 18.0 mm ² |
| Surface quality | $\lambda/4$ @ 633 nm (typically) |
| Refractive index n @ 248 nm | 1.509 |
| Pitch (P) | 0.8 mm |
| Radius | 4.35 +/- 0.13 mm (1900.047) 8.70 +/- 0.26 mm (1900.046) 11.1 +/- 0.33 mm (1900.045) 16.7 +/- 0.50 mm (1900.017) 24.4 +/- 0.73 mm (1900.018) 48.0 +/- 1.4 mm (1920.001) 78.0 +/- 2.3 mm (1920.002) 105.0 +/- 3.2 mm (1900.048) |
| Effective focal length EFL @ 248 nm | 8.55 +/- 0.26 mm (1900.047) 17.1 +/- 0.51 mm (1900.046) 21.8 +/- 0.65 mm (1900.045) 32.8 +/- 0.98 mm (1900.017) 48.0 +/- 1.4 mm (1900.018) 94.4 +/- 2.8 mm (1920.001) 153.4 +/- 4.6 mm (1920.002) 206.5 +/- 6.2 mm (1900.048) |
| Transmission | > 90% (without coating) |
| Options | AR coating, customized size Holder |

Copyright © 2008 LIMO GmbH. All rights reserved. All LIMO products are patent pending. Subject to change without notice. 2008-10-14 Vs. 2.0