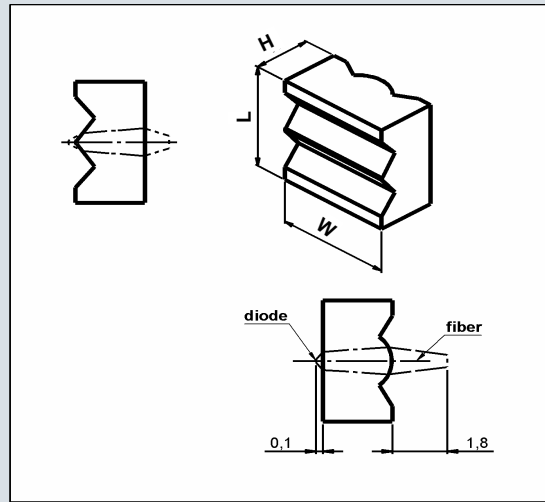
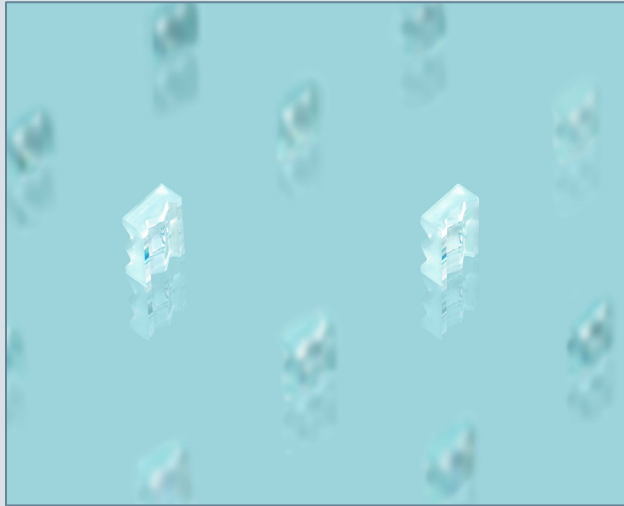


Fibre Coupler 800-1000 (9003.009)



General Description: Fibre coupler for the efficient coupling of light from an up to 1000 μm wide emitter into an optical fibre.

Specification Data

Material	S-TIH53 (Ohara)
Length (L)	3.00 +/- 0.05 mm
Width (W)	3.00 +/- 0.05 mm
Height (H)	3.02 +/- 0.1 mm
Clear aperture	1.5 x 1.5 mm ²
Distance Emitter - Coupler	0.1 mm
Distance Coupler - Fibre	1.8 mm
Numerical aperture	FA: 0.6 SA: 0.1
Refractive index n @ 808 nm	1.823
Effective focal length EFL @ 808 nm	FA: 0.1 mm SA: 1.95 mm
Standard coating	AR790-990 nm
Transmission	> 99%
Typical coupling efficiencies	For AR coated fibres
Emitter width 800 μm , NA 0.10; Fibre $\phi=400 \mu\text{m}$, NA 0.22	> 90%
Emitter width 1000 μm , NA 0.15; Fibre $\phi=600 \mu\text{m}$, NA 0.22	> 85%
Options	Customized coating

Copyright © 2005 LIMO GmbH. All rights reserved. All LIMO products are patent pending. Subject to change without notice. 2007-09-26 Vs. 2.0