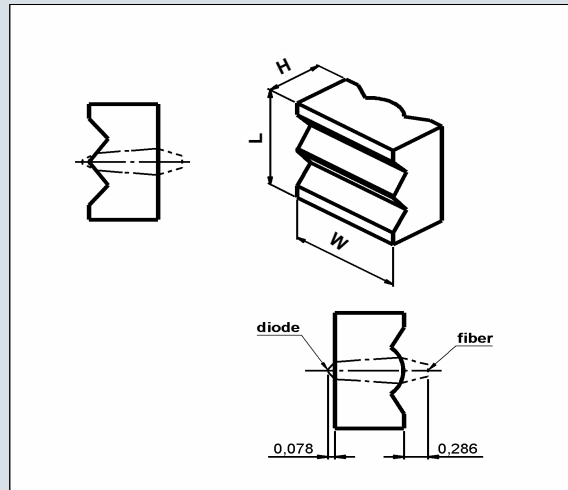


Fibre Coupler 100 (9003.005)



General Description: Fibre coupler for the efficient coupling of light from an up to 100 μm wide emitter into an optical fibre.

Specification Data

Material	S-TIH53 (Ohara)
Length (L)	2.00 +/- 0.05 mm
Width (W)	2.00 +/- 0.05 mm
Height (H)	0.80 +/- 0.01 mm
Clear aperture	0.75 x 0.75 mm ²
Surface quality	$\lambda/4$ @ 633 nm (typically)
Distance Emitter - Coupler	0.078 mm
Distance Coupler - Fibre	0.286 mm
Numerical aperture	FA: 0.6 SA: 0.1
Refractive index n @ 808 nm	1.823
Effective focal length EFL @ 808 nm	FA: 0.07 mm SA: 0.24 mm
Standard coating	AR790-990 nm
Transmission	> 99%
Typical coupling efficiencies	For AR coated fibres
Emitter width \leq 100 μm , NA 0.10; Fibre $\phi=50$ μm , NA 0.22	> 85%
Emitter width \leq 100 μm , NA 0.10; Fibre $\phi=62.5$ μm , NA 0.22	> 90%
Options	Customized coating

Copyright © 2005 LIMO GmbH. All rights reserved. All LIMO products are patent pending. Subject to change without notice. 2007-09-26 Vs. 2.0