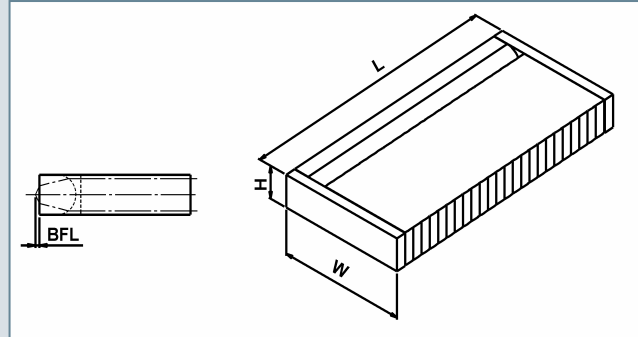
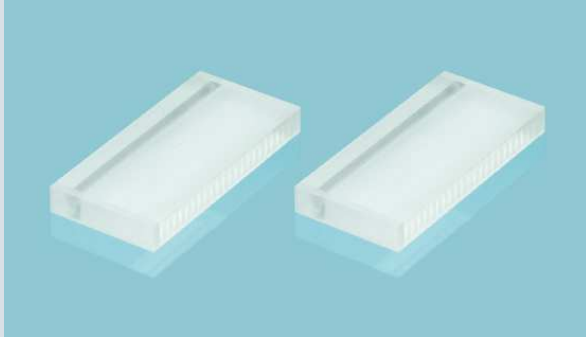


# FAC-TEL Collimation Module (O/D) (9007.420) / (9007.421)



**General Description:** Collimation module consisting of FAC850 and TEL150-500 mounted with side tabs for the collimation of the slow and fast axis of diode lasers. Emitter size of up to 150µm and pitch 500µm.

## Specification Data

Material	S-TIH53 (Ohara)
Length (L)	13.00 +/- 0.25 mm
Height (H)	1.50 +/- 0.05 mm
Module width (W)	6.2 +/- 0.1 mm
Clear aperture	11x1.4 mm <sup>2</sup>
Surface quality	λ/4 @ 633 nm (typically)
Back focal length BFL @ 808 nm	0.09 mm
Standard coating	AR790-990nm
Transmission	> 98 %
Fast Axis power within an angle of +/- 1.0 mrad (FAC850-O)	> 70 %
Fast Axis power within an angle of +/- 1.0 mrad (FAC850-D)	> 85 %
Slow Axis remaining divergence (Full width @ 1/e <sup>2</sup> )	65 mrad (typically)
Options	Customized coating
	Bottom tab for mounting

Copyright © 2005 LIMO GmbH. All rights reserved. All LIMO products are patent pending. Subject to change without notice. 2007-08-06 Vs. 2.0

LIMO Lissotschenko Mikrooptik GmbH  
 Bookenburgweg 4-8 • 44319 Dortmund • Germany  
 Phone +49-231-22241- 0 • Fax +49-231-22241- 301 •  
 www.limo.de • kontakt@limo.de

LIMO Lissotschenko Microoptic, Inc.  
 1170 Howell Mill Rd. NW • Suite 300 • Atlanta, GA 30318 • U.S.  
 Phone: +1-404-586-6860 • Fax: +1-404-586-6820 •  
 www.limo-microoptics.com • contact@limo-microoptics.com