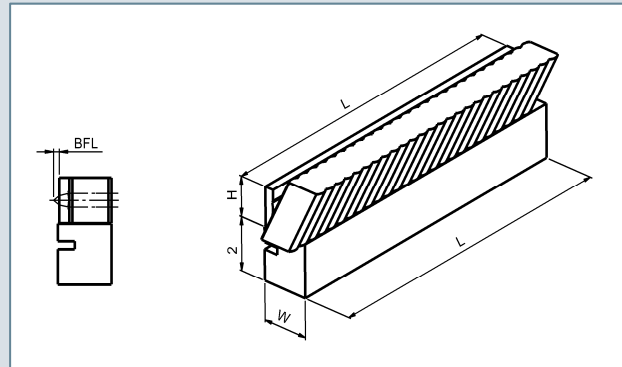
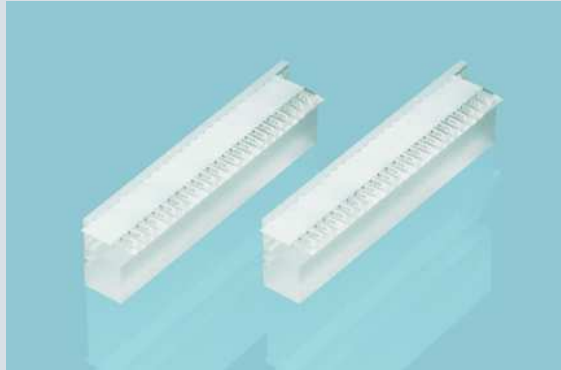


BTS-150/500D (1421.410)



General Description: Beam Transformation System (BTS) for diode laser bars with 19 emitters: emitter size up to 150 μm , pitch 500 μm . The BTS consists of a FAC 286 fast axis collimation lens, a diagonal lens array for rotating the beams by 90° and a bottom tab for mounting

Specification Data

Material	S-TIH53 (Ohara)
Length (L)	13.0 +/- 0.05 mm
Height (H)	1.5 +/- 0.05 mm
Width (W)	1.91 +/- 0.05 mm
Clear aperture	10.0 x 0.49 mm ²
Surface quality	$\lambda/4$ @ 633 nm (typically)
Back focal length BFL @ 808 nm	0.09 mm
Pitch	0.5 mm
Numerical aperture (NA)	FA: 0.6 SA: 0.1
Standard coating	AR790-990 nm
Transmission	> 98%
Remaining divergence (Full width @ $1/e^2$)	< 8 mrad (FA)
Options	Customized coating

Copyright © 2005 LIMO GmbH. All rights reserved. All LIMO products are patent pending. Subject to change without notice. 2008-04-14 Vs. 2.1