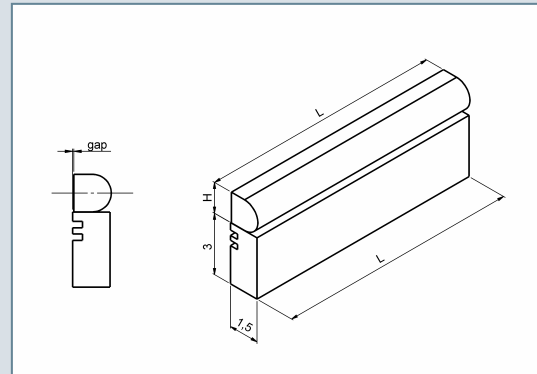
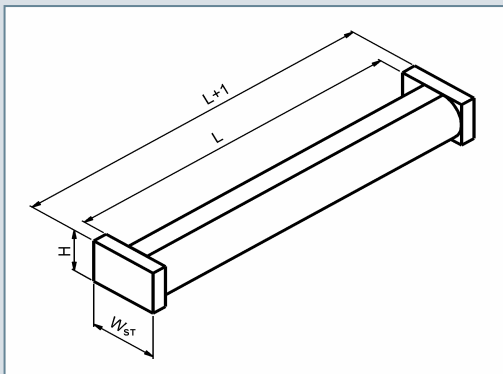
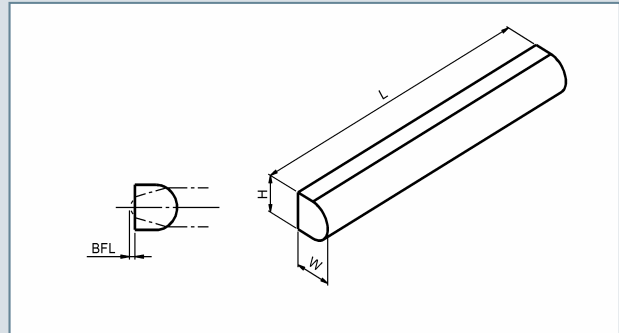


**FAC1500-O / FAC1500-D
(1525.002) / (1525.003)**



General Description: Aspherical cylindrical lens for the collimation of the fast axis of diode lasers.

Specification Data

Material	S-TIH53 (Ohara)
Length (L)	12.00 +/- 0.05 mm
Height (H)	1.65 +/- 0.05 mm
Width (W)	1.82 +/- 0.01 mm
Clear aperture	11x1.55 mm ²
Surface quality	λ/4 @ 633 nm (typically)
Refractive index n @ 808 nm	1.823
Effective focal length EFL @ 808 nm	1.49 mm
Back focal length BFL @ 808 nm	0.49 mm
Numerical aperture (NA)	0.5
Standard coating	AR790-990nm
Transmission	> 99%
Power within an angle of +/- 0.8 mrad (FAC1500 – O)	> 70 %
Power within an angle of +/- 0.8 mrad (FAC1500 – D)	> 85 %
Options	Customized coating
	Customized length
	With side tabs (W _{ST} =2.4 mm): 1525.010 (O), 1525.011 (D)
	With bottom tab (gap=0.42 mm): 1525.012 (O), 1525.013 (D)
	Other dimensions or mounting blocks

Copyright © 2005 LIMO GmbH. All rights reserved. All LIMO products are patent pending. Subject to change without notice. 2007-08-06 Vs. 2.0