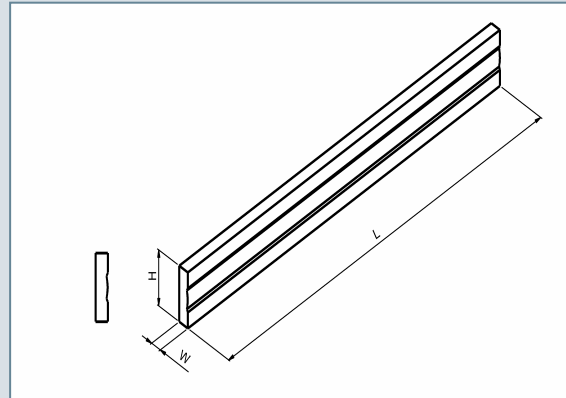
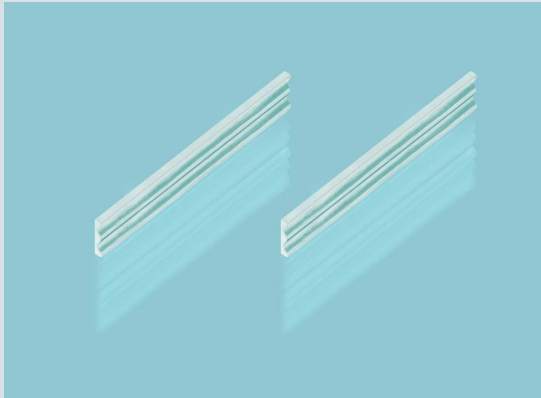


**FAC365-O / FAC365-D  
(1255.004) / (1255.002)**



**General Description:** Aspherical cylindrical lens for the collimation of the fast axis of diode lasers.

**Specification Data**

Material	S-TIH53 (Ohara)
Length (L)	12.00 +/- 0.05 mm
Height (H)	1.50 +/- 0.05 mm
Width (W)	0.5 +/- 0.01 mm
Clear aperture	11.0x0.55 mm <sup>2</sup>
Surface quality	$\lambda/4$ @ 633 nm (typically)
Refractive index n @ 808 nm	1.823
Effective focal length EFL @ 808 nm	0.365 mm
Back focal length BFL @ 808 nm	0.095 mm
Numerical aperture (NA)	0.65
Standard coating	AR790-990nm
Transmission	> 99%
Power within an angle of +/- 3.0 mrad (FAC365 – O)	> 70 %
Power within an angle of +/- 3.0 mrad (FAC365 – D)	> 85 %
Options	Customized coating
	Customized length
	Bottom or side tab for mounting

Copyright © 2005 LIMO GmbH. All rights reserved. All LIMO products are patent pending. Subject to change without notice. 2008-02-27 Vs. 1.0