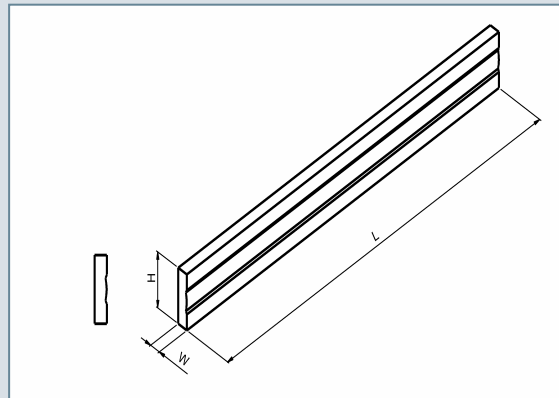
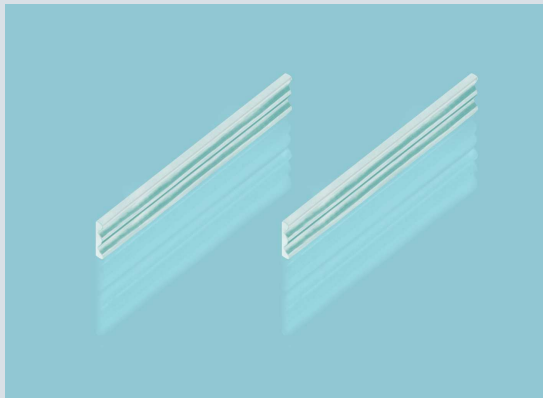


Compact FAC286-O / FAC286-D (1501.214) / (1501.215)



General Description: Aspherical cylindrical lens for the collimation of the fast axis of diode lasers.

Specification Data

Material	S-TIH53 (Ohara)
Length (L)	11.5 +/- 0.05 mm
Height (H)	1.00 +/- 0.05 mm
Width (W)	0.36 +/- 0.01 mm
Clear aperture	10.5x0.49 mm ²
Surface quality	$\lambda/4$ @ 633 nm (typically)
Refractive index n @ 808 nm	1.823
Effective focal length EFL @ 808 nm	0.29 mm
Back focal length BFL @ 808 nm	0.09 mm
Numerical aperture (NA)	0.8
Standard coating	AR790-990nm
Transmission	> 99%
Power within an angle of +/- 3.8 mrad (FAC286 – O)	> 70 %
Power within an angle of +/- 3.8 mrad (FAC286 – D)	> 85 %
Options	Customized coating
	Customized length
	Bottom or side tab for mounting

Copyright © 2005 LIMO GmbH. All rights reserved. All LIMO products are patent pending. Subject to change without notice. 2008-04-03 Vs. 1.0